

Roof entry

Swan neck SHD



Flat roof entry in 4 sizes

ID 100 e.g. for 4 cables up to Ø28 mm

Article code: SHD 100

ID 150 e.g. for 7 cables up to Ø28 mm

Article code: SHD 150

ID 200 e.g. for 12 cables up to Ø28 mm

Article code: SHD 200

ID 300 e.g. for 20 cables up to Ø28 mm

Article code: SHD 300

Features and technical data:

- flexible, modular system design suitable for all flat roof structures
- easy to draw cables through
- height and orientation can be adjusted (can be swivelled through 360°) even after installation
- available in 4 sizes, 100, 150, 200 and 300 mm diameters
- simple transportation and easier assembly of the hot-dip galvanised elements, as they can be assembled on site
- variable and retrofit configuration possible together with split SKD seal insert (press plates made of stainless steel V2A (AISI 304L))

Accessories



Cable seal for SHD swan neck

SHD 100 e.g. for 4 cables up to Ø28 mm

Article code: SKD 100-2G-Z/d

SHD 150 e.g. for 7 cables up to Ø28 mm

Article code: SKD 150-2G-Z/d

SHD 200 e.g. for 12 cables up to Ø28 mm

Article code: SKD 200-2G-Z/d

SHD 300 e.g. for 20 cables up to Ø28 mm

Article code: SKD 300-2G-Z/d

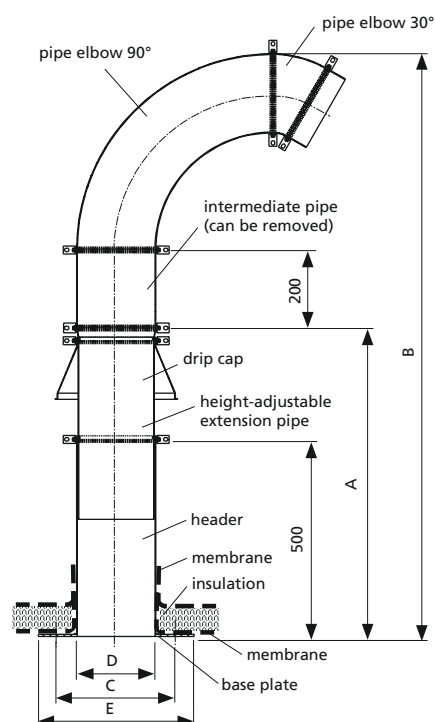
Roof entries - for special requirements

This special flat roof entry design enables the easy installation and sealing of solar, mobile radio communication and air-conditioning cables to match the respective roof structure. The swan neck SHD flat roof entry is suitable for dowelling above core drill holes and can be swivelled through 360°. The overall height is adjustable by at least 300 mm and features a height-adjustable drip cap. For sealing we have developed especially for the flat roof entries our cable sealing SKD.

Roof entry swan neck SHD

Technical data

A (mm)	B (mm)	C (□ mm)	D (ID mm)	E (□ mm)	Article code
600 – 950	1050 – 1400	250	100	300	SHD 100
600 – 950	1175 – 1525	300	150	350	SHD 150
600 – 950	1300 – 1650	350	200	400	SHD 200
600 – 950	1550 – 1900	450	300	500	SHD 300



A = telescope range min./max.
 B = overall height
 C = hole pattern 4xØ 12 mm
 D = max. core drilling diameter
 E = base plate edge dimension

Practical examples



installed SHD 200 before installation of the flat roof seal



installed seal insert SKD in swan neck SHD 200